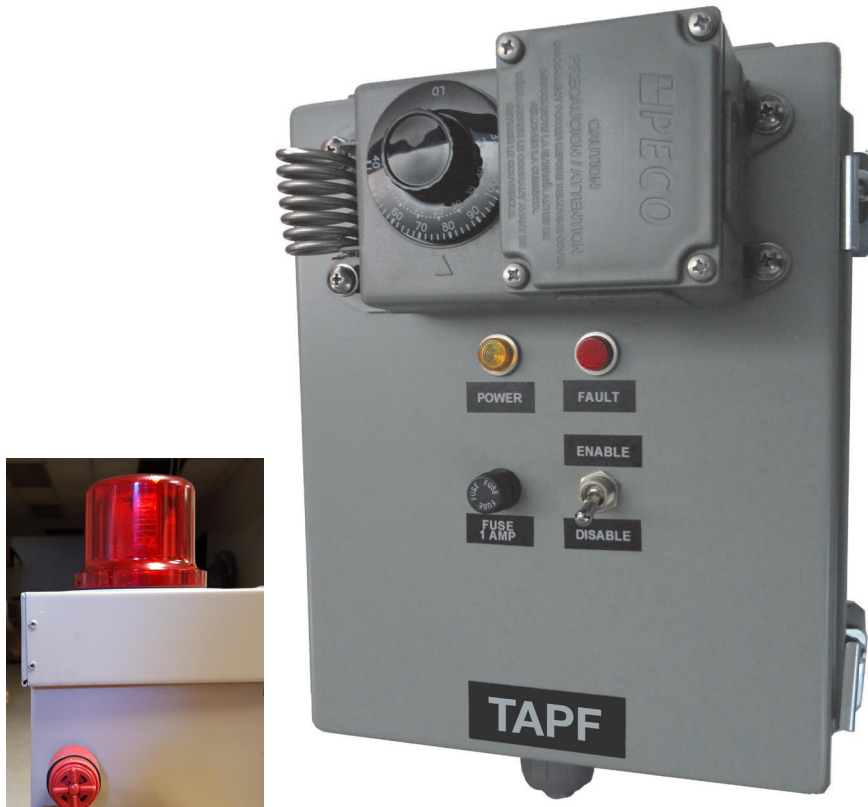

Safe-T-Cover Model TAPF

Temperature Alarm/Power Failure Alarm

9"x9"x13" Overall



INSTALLATION INSTRUCTIONS

1. Mount the alarm system cabinet a minimum of 24" from the floor on the interior wall of the enclosure with the 1/4" x 3" carriage bolts inserted from the exterior.
 2. Run 120 volt electrical to Terminals 6, 7, 8 (Hot, Neutral, Ground) as per local codes.
 3. When power is applied front panel indicator will be "ON".
 4. Set the thermostat on the outside of the alarm box to the desired alarm temperature. This temperature setting is normally 32 degrees F.
 5. Mount the 12VDC lamp and on the exterior of the enclosure and the 12VDC horn through a hole in the enclosure wall as shown in the directions.
 6. Connect the external Field Alarm wires
 - Terminals 4, 5 (switched + 12 VDC, 12 VDC common) provide alarm output for directly driving a horn or 12 VDC lamp.
 - Terminals 1, 2, 3 (NC, NO and COM) provide dry contacts for interfacing to other devices. These contacts are rated for 10 ADC @ 24 VDC or 10 AAC @120 VAC.
 7. The Enable/Disable switch set to Enable will permit external Field Alarms; The Enable/Disable switch set to Disable will silence external Field Alarms.
 8. Connect the loose wire for the battery.
- POWER DEMAND FOR THE 12V, 1.5A BATTERY CHARGER IS LESS THAN 0.25A @ 120 VOLTS
-

PARTS LIST:

1. TAPF ALARM CABINET.
 2. FOUR (4) ¼" X 3" CARRIAGE BOLTS, 8 WASHERS, and 4 NUTS TO MOUNT THE TAPF ALARM CABINET THROUGH AN ENCLOSURE WALL.
 3. 12 VOLT DC STROBE LAMP WITH RED COVER LENS.
 4. TWO HEX HEAD SCREWS TO MOUNT THE STROBE LAMP TO THE ENCLOSURE WALL OR ROOF.
 5. PIEZO SOUND ALARM.
-

Piezo Sound Alarm



Part No_ (See attached chart for specific information for your model)



The PW and PB series of panel mount piezo sound alarms was designed to be a cost-effective audible alarm for use in industrial control systems. It is molded from tough GE Valox, weatherproof and suitable for use in corrosive environments, outdoor and indoor.

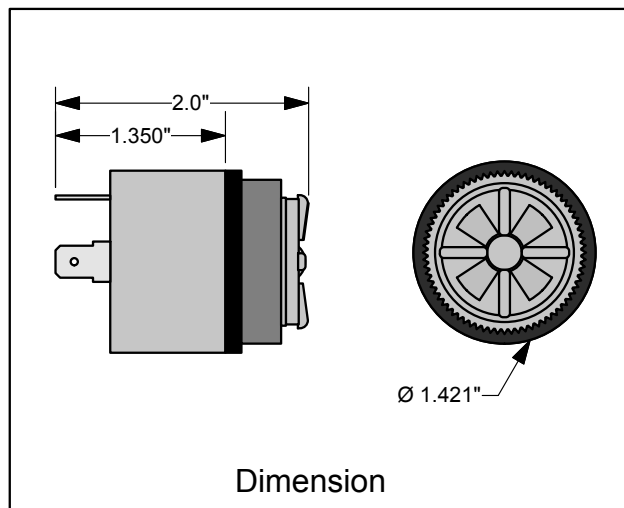
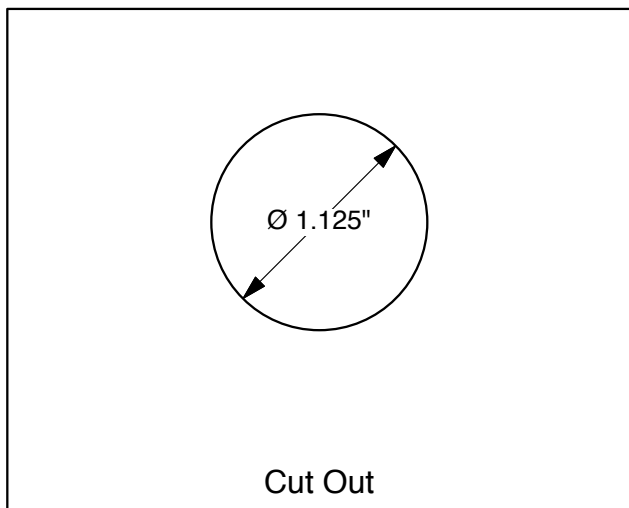
*** Most models will work with Ingram's SM120A Silence Module. The exceptions are the PB515DUW/UC-X or PB628DUW/UC-X**

Features

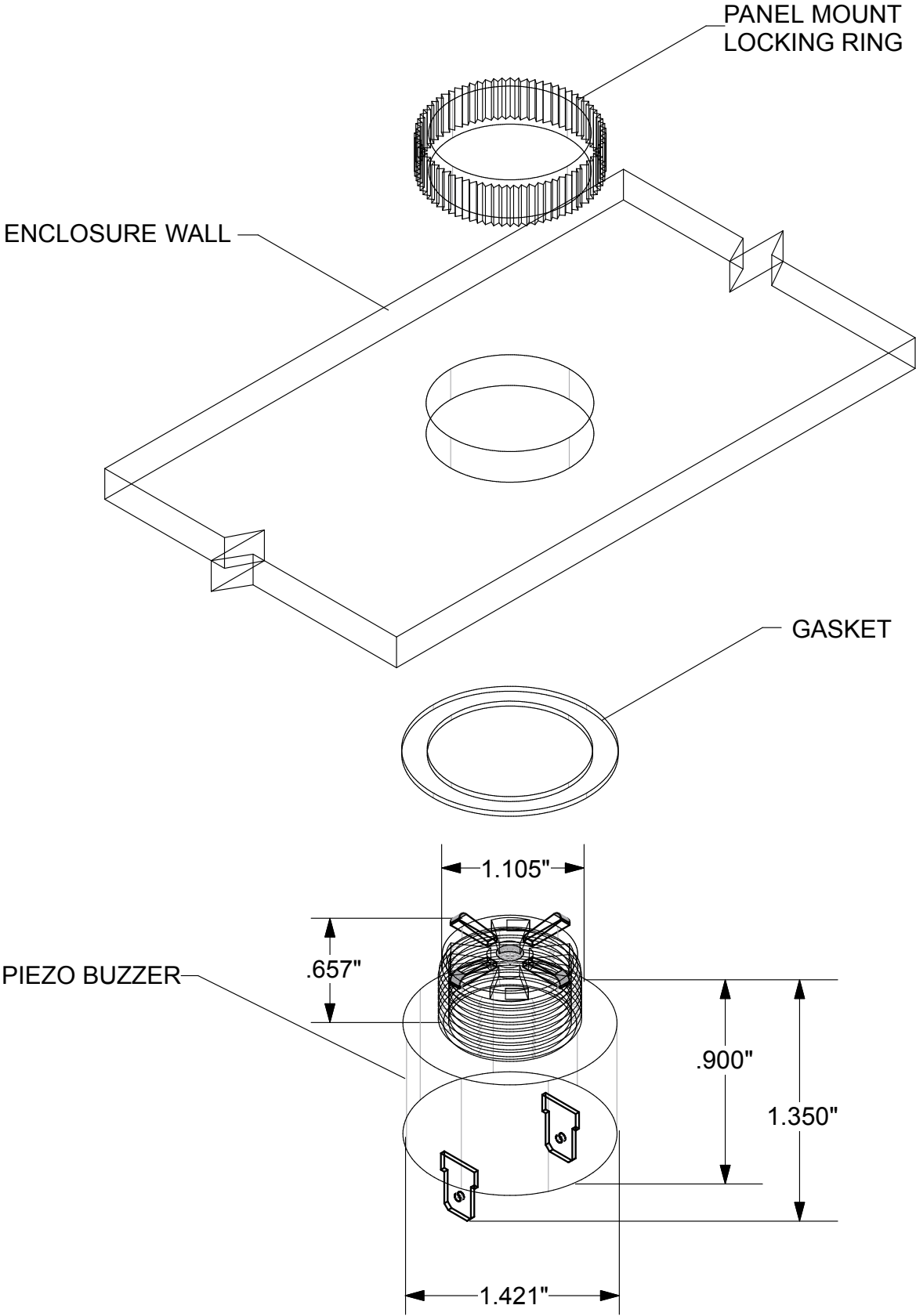
- Distinctive tones cut through ambient noise
- UL Recognized (E175530) for use in UL Type 3,3R, 4X, 12 and 13 environments
- Also meets NEMA 3, 3R, 4X, 12 and 13 requirements
- All solid state construction = reliability
- Encapsulated for durability and corrosion resistance
- Molded from tough GE Valox
- Low power consumption
- Installs in 1.125" hole or 3/4" standard K.O.
- Comes with gasket installed
- PW Series available in Red or Black
- PB Series available in Black

Technical Specifications

- Sound output: Varies by model (see chart)
 - 95dB min @ 2 Feet
 - 103dB min @ 2 Feet
 - 108dB min @ 2 Feet
- Resonant frequency 2.9± 0.5kHz
- Operating voltage: See Chart
- Maximum current draw: See Chart
- Operating temperature: -20°C to 50°C
- Electrical connections: 1/4" Quick connect terminals.
- Fits panels up to 1/4" thick
- Comes with manual volume Damper (removable)
- Multitone buzzers have 3 terminals



Piezo Installation



Piezo Sound Alarm Models



Ingram Part #	Voltage	Current Max	Tone Type	Output	UL & Nema Rating
PW120A	40 to 130 VAC	40.0 mA	Warble	95dB	3, 3R, 4, 4X, 12 & 13
PW24D	10 to 28 VDC	30.0 mA	Warble	95dB	3, 3R, 4, 4X, 12 & 13
PW12D	4 to 15 VDC	30.0 mA	Warble	95dB	3, 3R, 4, 4X, 12 & 13
PB120AMB-X	120 VAC	20.0 mA	Medium Loud Beep	95dB	3, 3R, 4, 4X, 12 & 13
PB120AXC-X	120 VAC	30.0 mA	Extra Loud Continuous	103dB	3, 3R, 4, 4X, 12 & 13
PB120AMC-X	120 VAC	30.0 mA	Medium Loud Continuous	95dB	3, 3R, 4, 4X, 12 & 13
PB530ADMC-X	5 to 30 AC/DC	30.0 mA	Medium Loud Continuous	95dB	3, 3R, 4, 4X, 12 & 13
PB330DXCX-X	3 to 30 VDC	30.0 mA	Extra Loud Continuous	103dB	3, 3R, 4, 4X, 12 & 13
PB524ADMW-X	5 to 24 AC/DC	25.0 mA	Medium Loud Warble	95dB	3, 3R, 4, 4X, 12 & 13
PB525DCH-X	5 to 25 VDC	40.0 mA	Chime	95dB	3, 3R, 4, 4X, 12 & 13
PB628DUT-X	6 to 28 VDC	50.0 mA	Ultra Loud Staccato	108dB	3, 3R, 4, 4X, 12 & 13
PB628DUS-X	6 to 28 VDC	50.0 mA	Ultra Loud Siren	108dB	3, 3R, 4, 4X, 12 & 13
PB628DUW-X	6 to 28 VDC	50.0 mA	Ultra Loud Warble	108dB	3, 3R, 4, 4X, 12 & 13
PB515DUW/UC-X	5 to 15 VDC	50.0 mA	Ultra Loud Warble or Continuous	108dB	3, 3R, 4, 4X, 12 & 13
PB628DUW/UC-X	6 to 18 VDC	50.0 mA	Ultra Loud Warble or Continuous	108dB	3, 3R, 4, 4X, 12 & 13
PB624ADFB-X	6 to 24 AC/DC	40.0 mA	Fast Beep	95dB	3, 3R, 4, 4X, 12 & 13
PB120AFB-X	120 VAC	60.0 mA	Fast Beep	95dB	3, 3R, 4, 4X, 12 & 13
PB120AFS-X	120 VAC	40.0 mA	Fast Siren	95dB	3, 3R, 4, 4X, 12 & 13
PB630ADFS-X	6 to 30 AC/DC	60.0 mA	Fast Siren	95dB	3, 3R, 4, 4X, 12 & 13

Also Available:

PS12DWOGD - Same as PW12D but without gasket and damper

DC Strobe



Part No.: SK12VDC



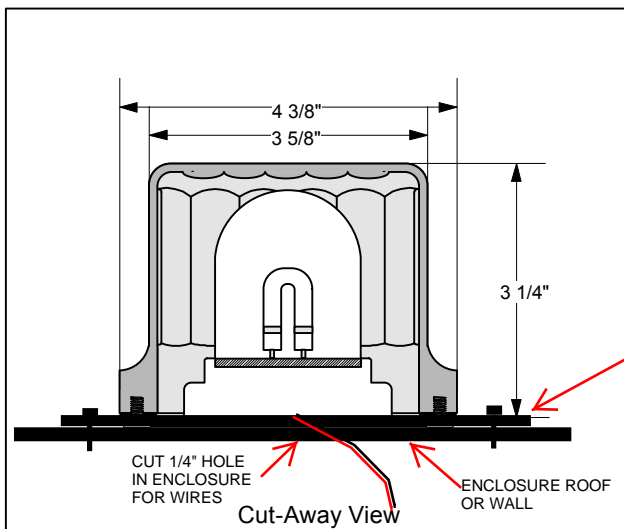
The Ingram SK12VDC is a Nema 4X low cost, low profile strobe suitable for heavy duty applications inside and outdoors. The lens is molded from shatter resistant GE Lexan and the strobe is hermetically sealed. This tamper resistant strobe is particularly useful in areas with high ambient noise levels where an audible signal may not be heard.

Features

- Nema 4X
- Hermetically sealed
- Xenon U tube
- Rated for 5 million flashes
- Low current draw
- Easy to install
- Tamper Resistant
- Gasketed
- Available in 5 colors (red, amber, green, clear, blue)

Technical Specifications

- Voltage: 12VDC
- Current Draw: 90mA max
75mA avg.
- Flashes per Minute: 30



5 1/2" STROBE MOUNTING PLATE, INSTALL ON ENCLOSURE ROOF OR WALL WITH HEX HEAD SCREWS PROVIDED

STROBE LAMP MOUNTS TO THE PLATE WITH TWO (2) #4 SCREWS. STROBE LENS COVER MOUNTS TO THE PLATE WITH FOUR (4) #8 SCREWS. EXTRA SCREWS ARE INCLUDED.